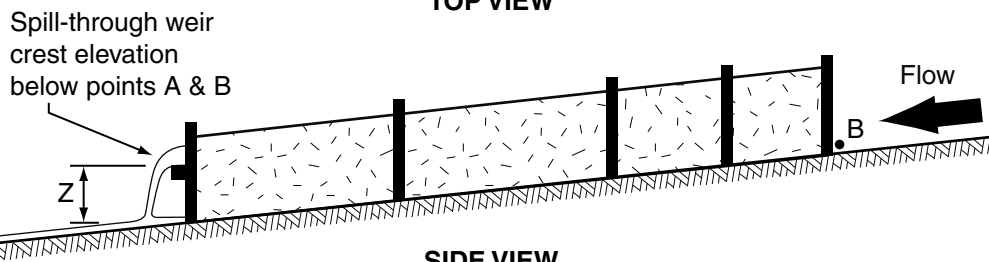
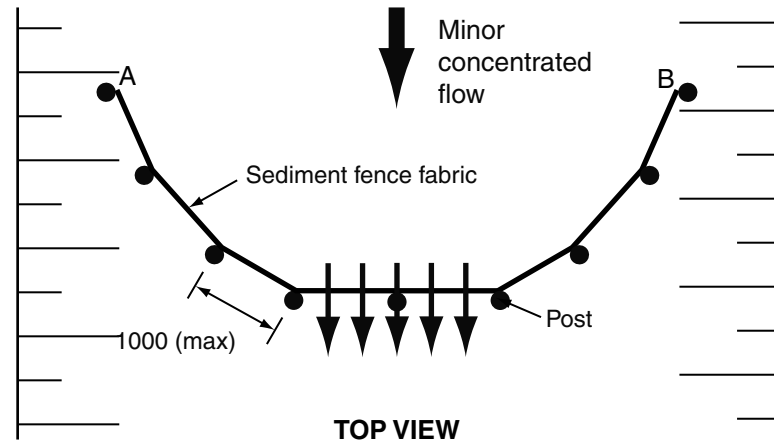


TOP VIEW

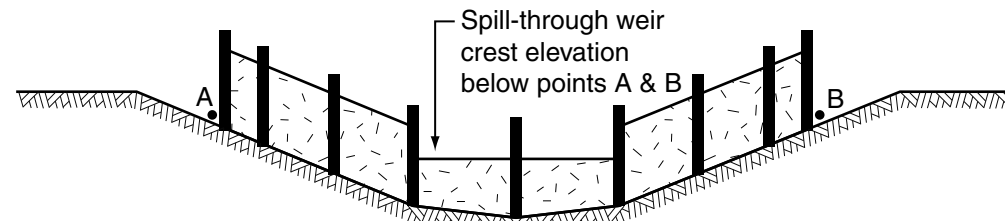


SIDE VIEW

(a) Type AU 'narrow' sediment trap

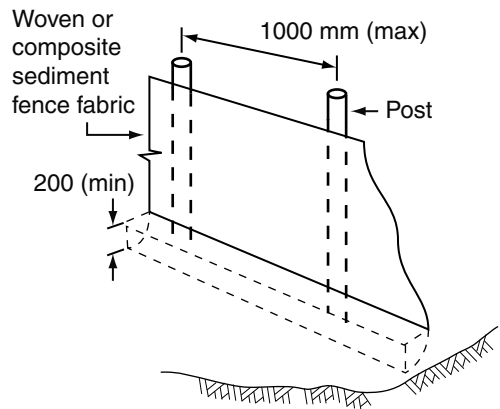


TOP VIEW

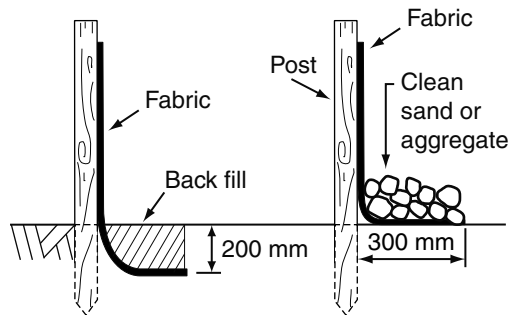


FRONT VIEW

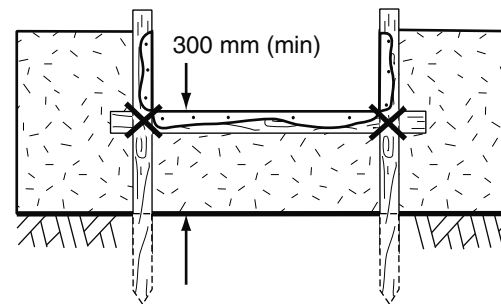
(b) Type BU 'wide' sediment trap



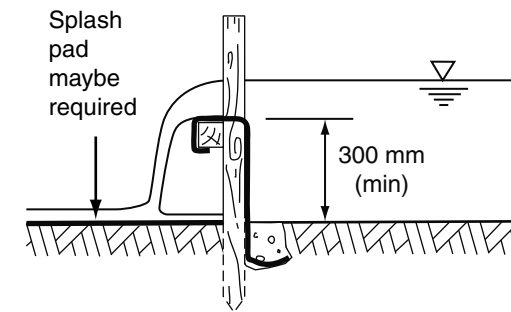
(c) Spacing of support posts



(d) Trenching of fabric



(e) Spill-through weir



(f) Sectional view of weir

Drawn:	Date:		
GMW	Apr-10	U-Shaped Sediment Trap	UST-01