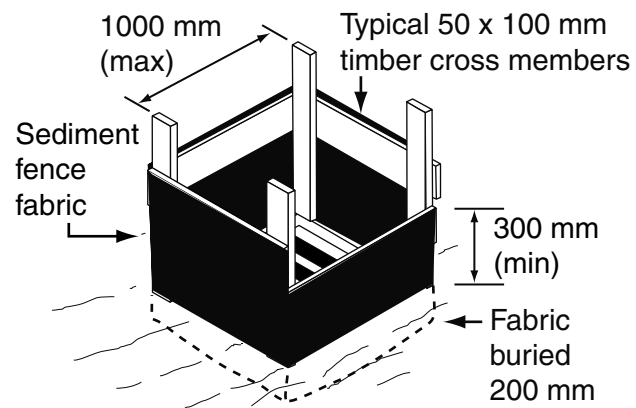
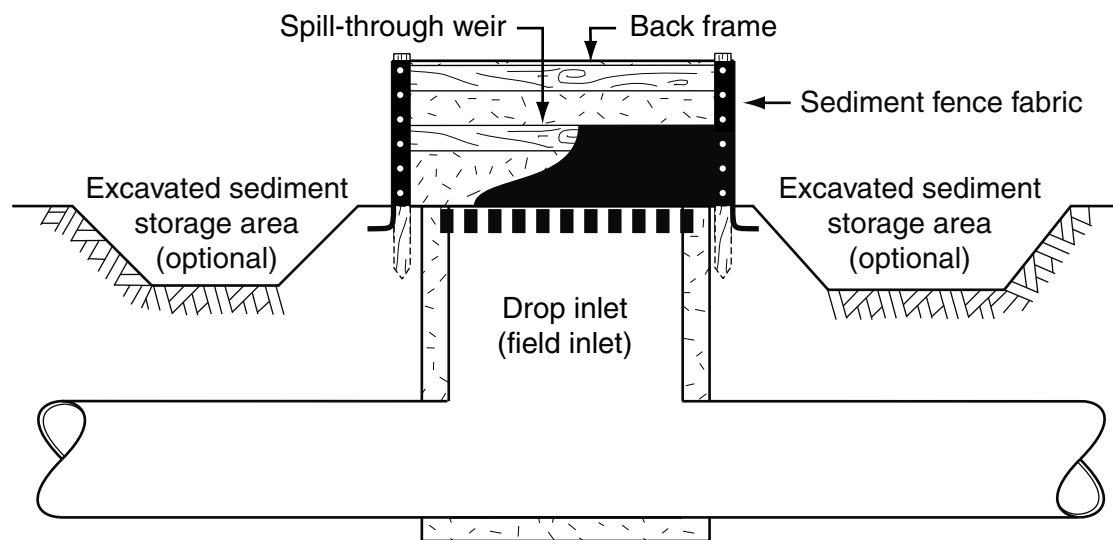


(a) Details of support frame with spill-through weir



(b) Fabric drop inlet protection with spill-through weir



(c) Fabric drop inlet protection with optional excavated sediment storage area and settling pond

Drawn:	Date:		
GMW	Dec-09	Fabric Drop Inlet Protection	FD-01