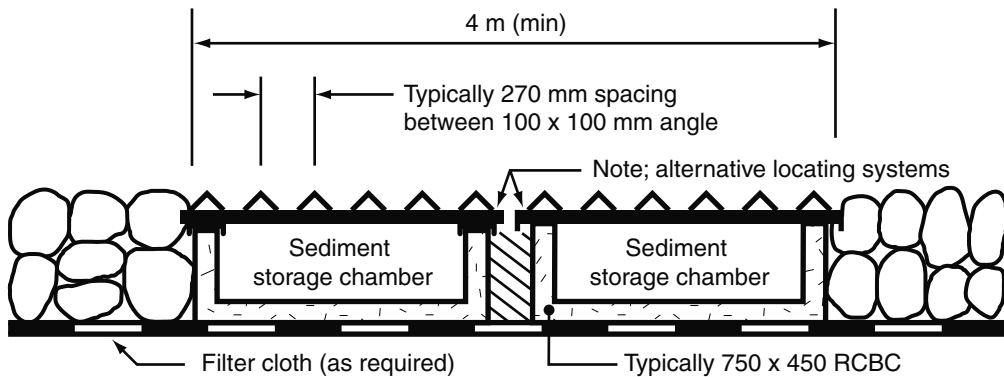
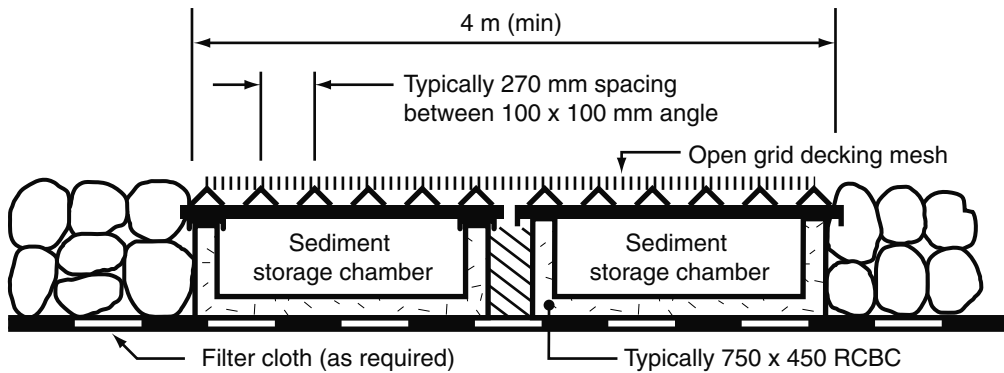


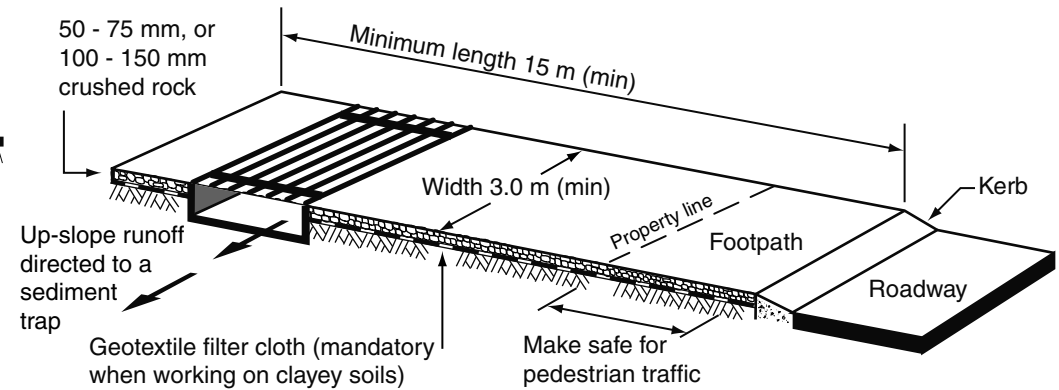
(a) Typical profile of a vibration grid



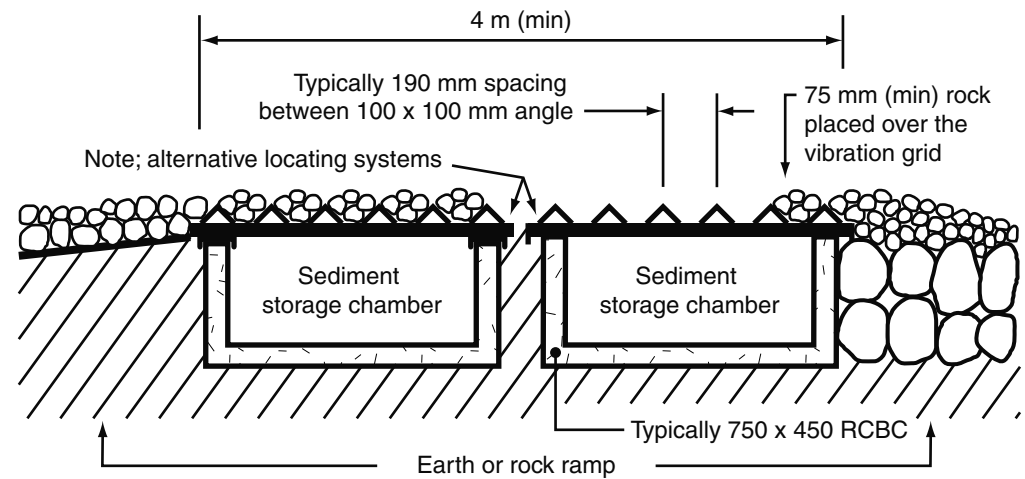
(b) Typical profile of the vibration panels



(c) Alternative, high travel speed arrangement (concept still under development)



(d) Typical layout of a vibration grid



(e) Alternative, medium travel speed arrangement (concept still under development)

Drawn:	Date:		
GMW	Dec-09	Construction Exit - Vibration Grid	Exit-04